

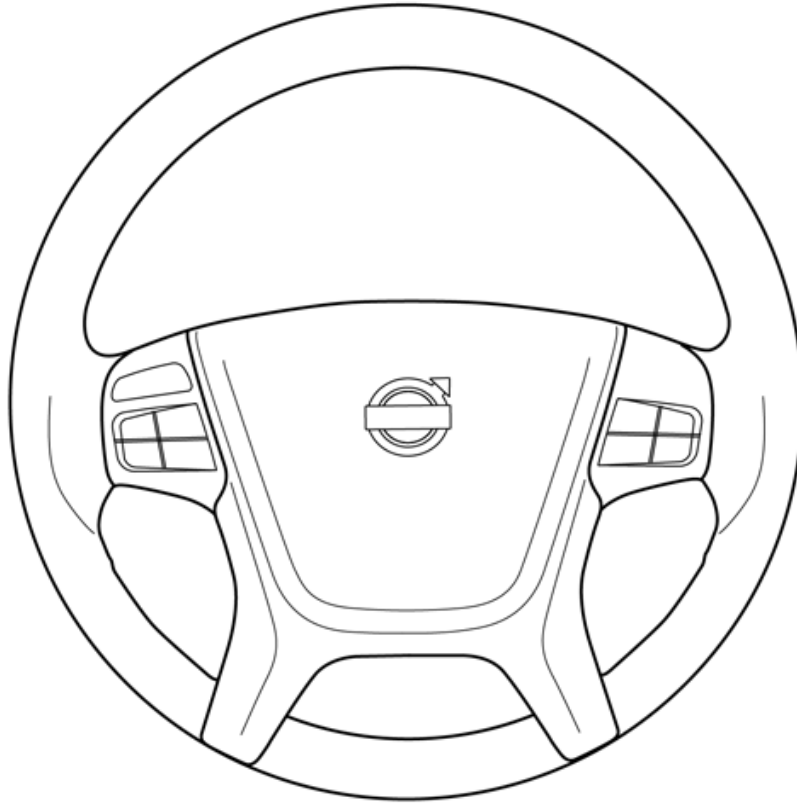


# Installation instructions, accessories

Volvo Car Corporation Gothenburg, Sweden

Instruction No	Version	Part. No.
30756984	1.3	30756610, 30756611, 30756612, 30756613, 30756616, 30756617, 31369833, 31369834, 31369835, 31369841, 31369836, 31369837, 31401803, 31401804, 31401808, 31401809

## Steering wheel



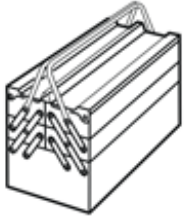
IMG-326023



# Installation instructions, accessories

Volvo Car Corporation Gothenburg, Sweden

## Equipment



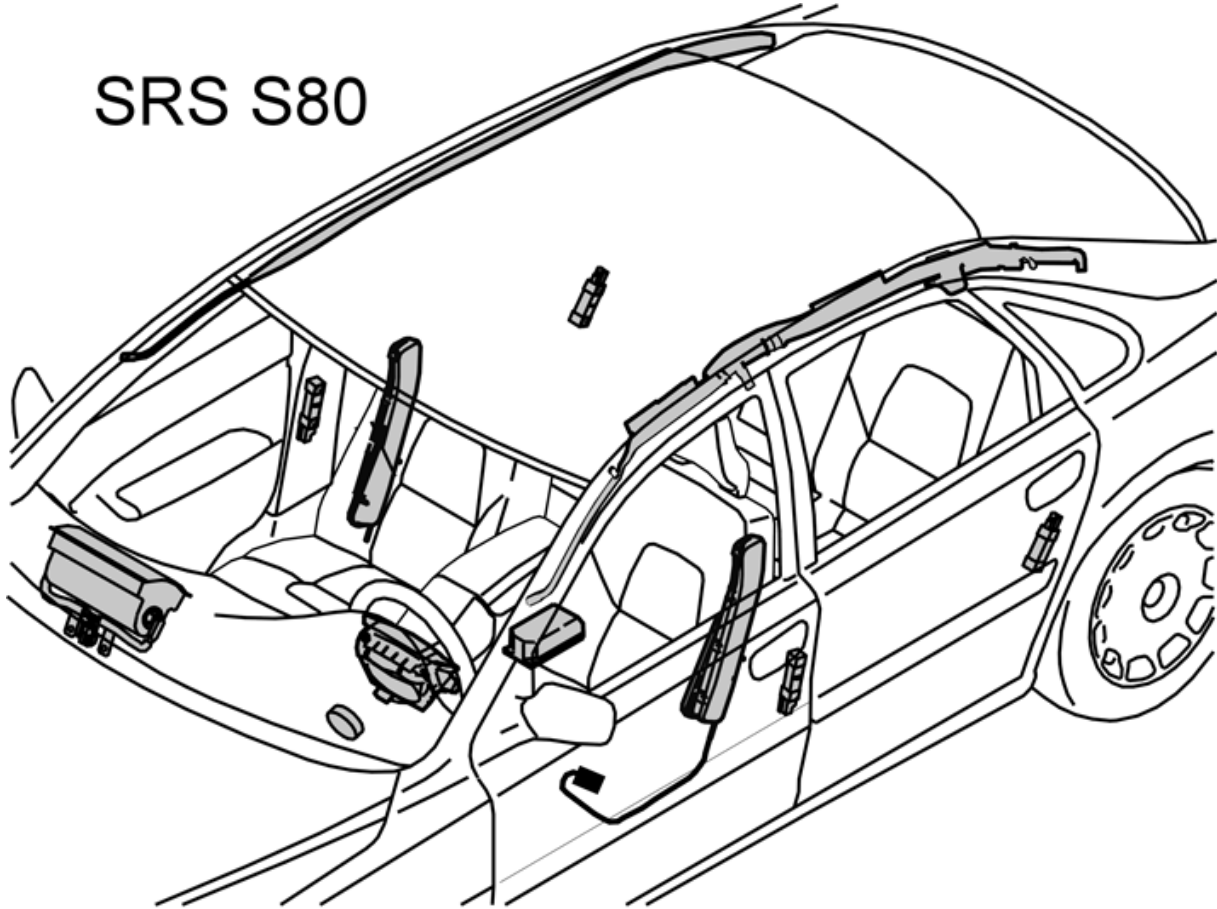
A0000162



IMG-239664

Nm  
lbf.ft

## SRS S80



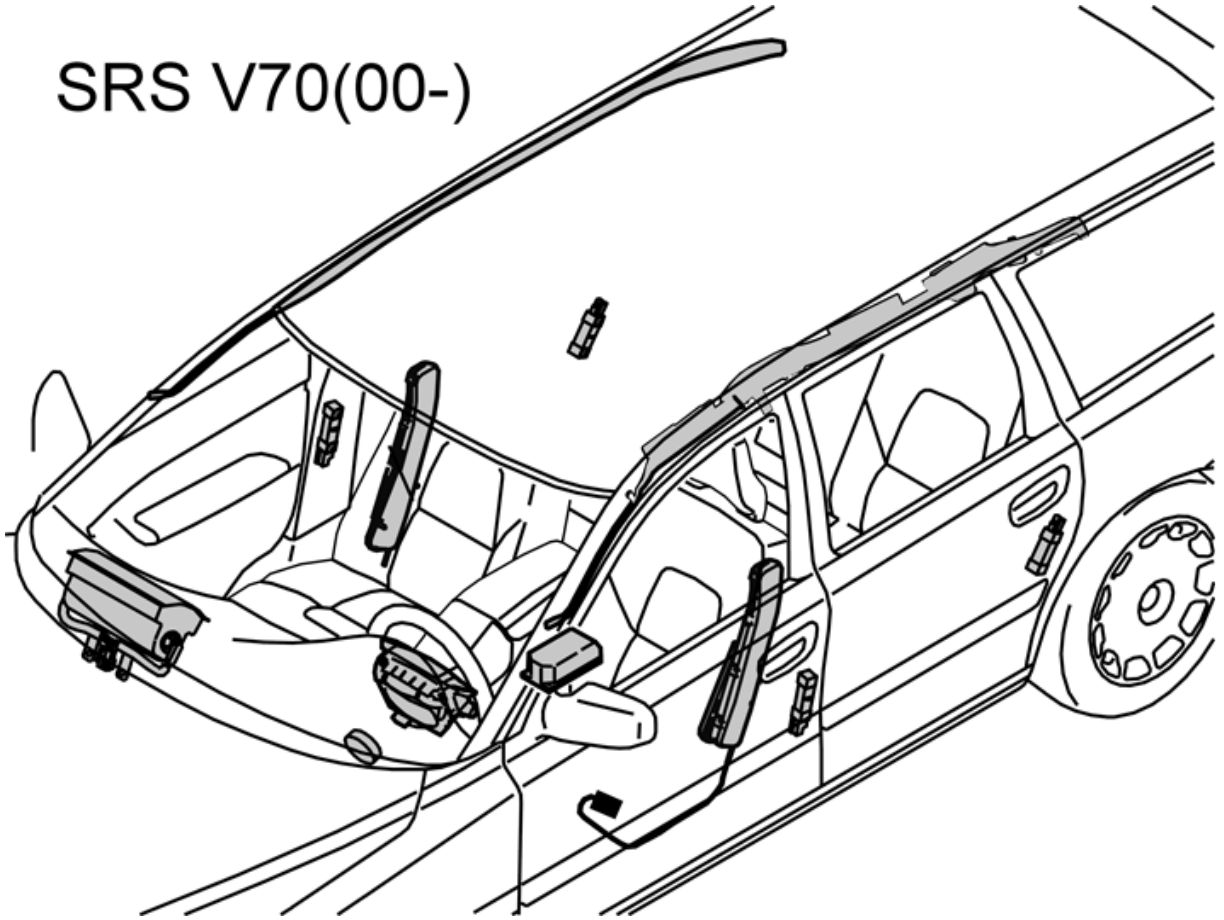
D8802049



# Installation instructions, accessories

Volvo Car Corporation Gothenburg, Sweden

## SRS V70(00-)

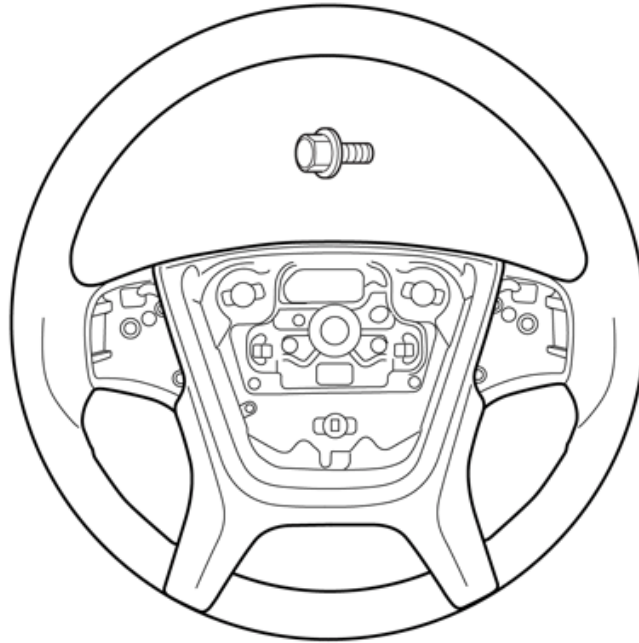


M8802108



# Installation instructions, accessories

Volvo Car Corporation Gothenburg, Sweden



IMG-326028



# Installation instructions, accessories

Volvo Car Corporation Gothenburg, Sweden

Any comments on this publication? Please contact your nearest retailer. Thank You!

Publ.no:	Issue:	Kit no:
Comments:.....		
.....		
.....		
.....		

From:	
Address:	
Telephone:	
Telefax:	

IMG-213320



# Installation instructions, accessories

Volvo Car Corporation Gothenburg, Sweden

## INTRODUCTION

Read through all of the instructions before starting installation.

Notifications and warning texts are for your safety and to minimise the risk of something breaking during installation.

Ensure that all tools stated in the instructions are available before starting installation.

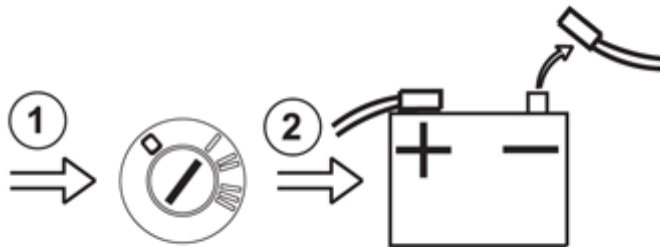
Certain steps in the instructions are only presented in the form of images. Explanatory text is also given for more complicated steps.

In the event of any problems with the instructions or the accessory, contact your local Volvo dealer.

1

Turn the ignition key to position I to release the steering wheel lock.

Disconnect the battery negative lead.



### Note!

The SRS system remains active for a brief period after power is cut off. Thus, wait three minutes before starting work.

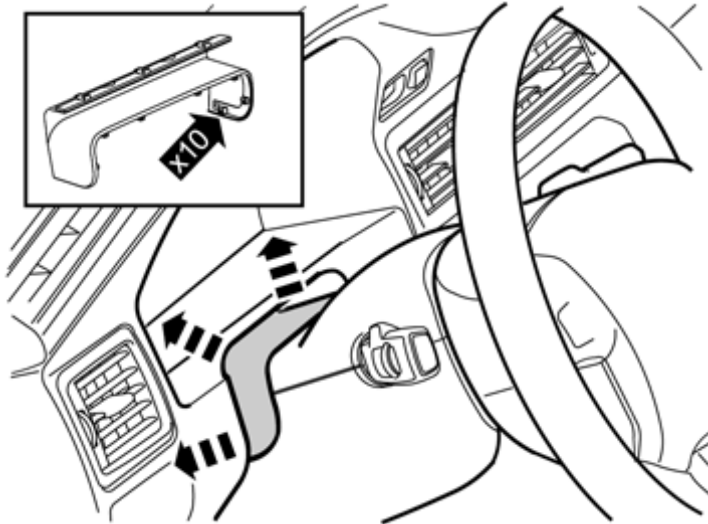
IMG-237320



# Installation instructions, accessories

Volvo Car Corporation Gothenburg, Sweden

2

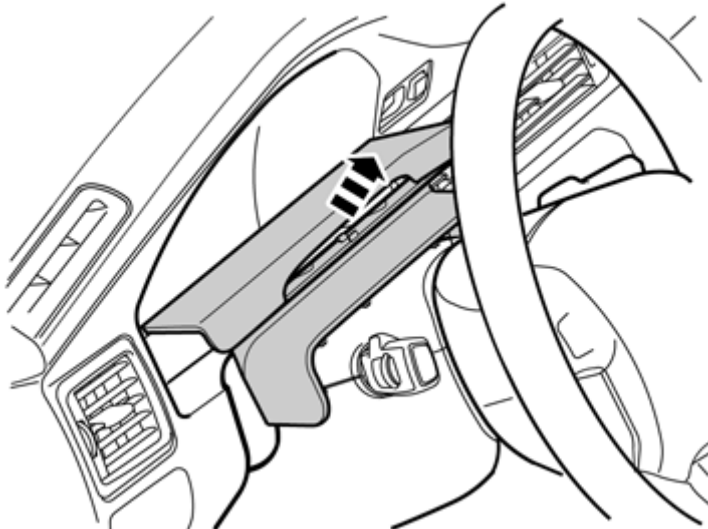


IMG-329033

Loosen the lever and pull the steering wheel console backwards.

Carefully prize off the rubber seal in the steering wheel cover all around.

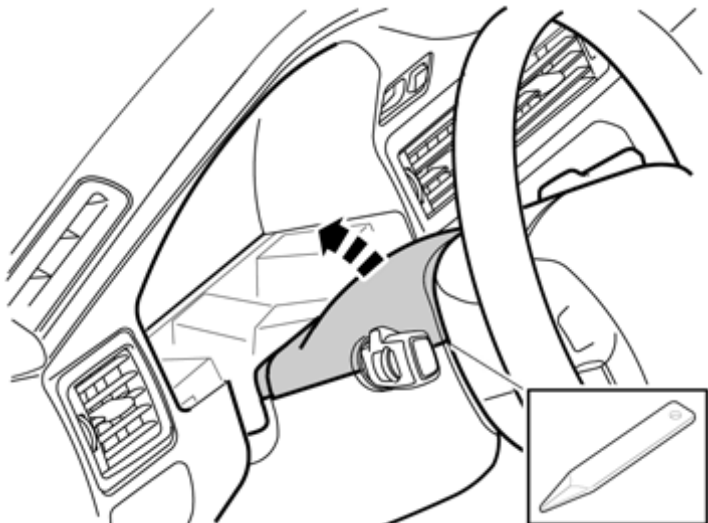
3



IMG-329034

Carefully pull it off and remove the panel with the rubber seal.

4



IMG-328978

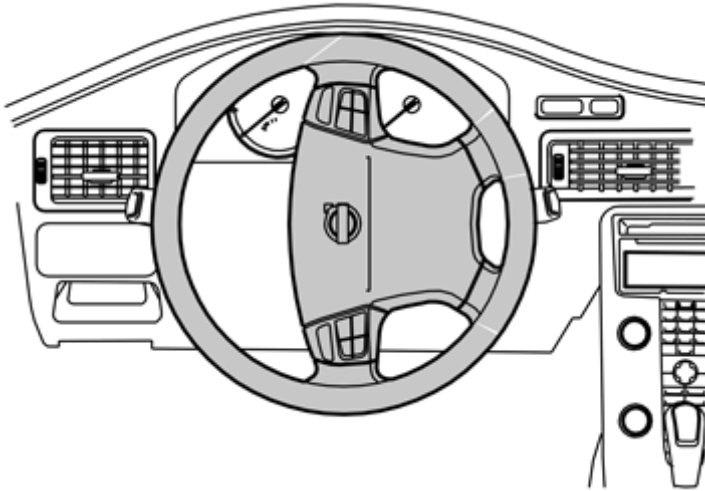
Carefully prize off the upper cover from the lower one at the rear. Remove the cover. It is fitted with clips at the sides.



# Installation instructions, accessories

Volvo Car Corporation Gothenburg, Sweden

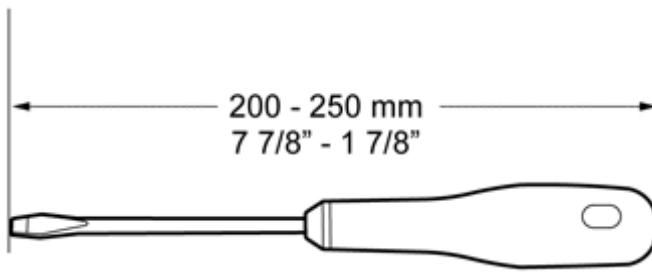
5



IMG-217441

Turn the steering wheel a quarter turn so that the holes on the reverse of the steering wheel are accessible.

6A

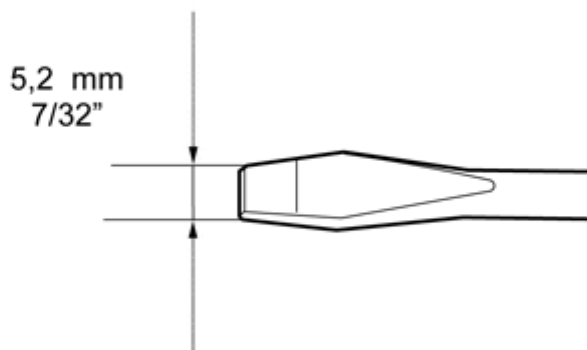


IMG-328983

## Illustrations A and B

Use a screwdriver that is at least 5.2 mm wide and with a length of 200-250 mm.

6B



IMG-328989

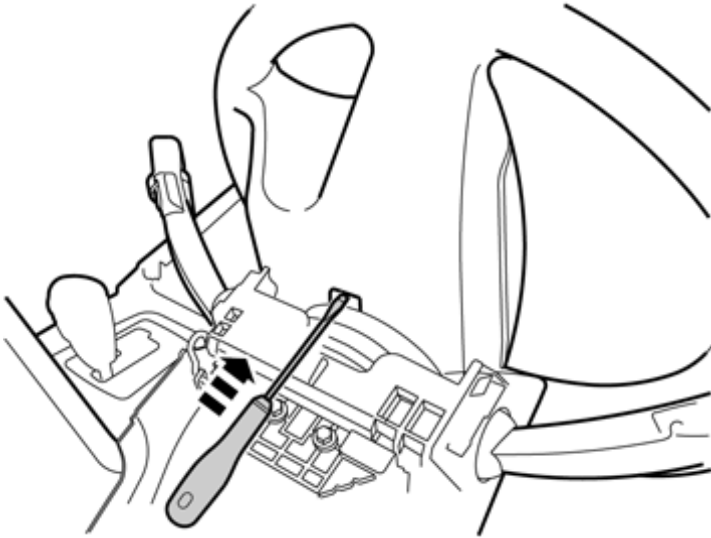




# Installation instructions, accessories

Volvo Car Corporation Gothenburg, Sweden

7A



IMG-328990

## Illustration A

Insert a screwdriver into the large hole on the rear of the steering wheel's rear face.

## Illustration B

Insert the tip of the screwdriver (1) under the lock spring (2).

## Illustration C

Turn the screwdriver so that the end presses the lock spring up until it can move past the locking catch (3)

## Illustration D

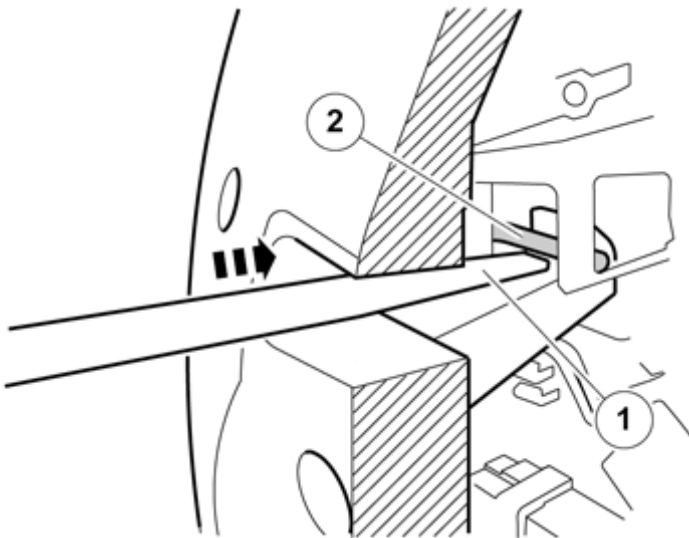
Carefully pull off one side of the steering wheel module. It is firmly attached.

Turn the steering wheel 180°.

Repeat for the lock spring on the other side.

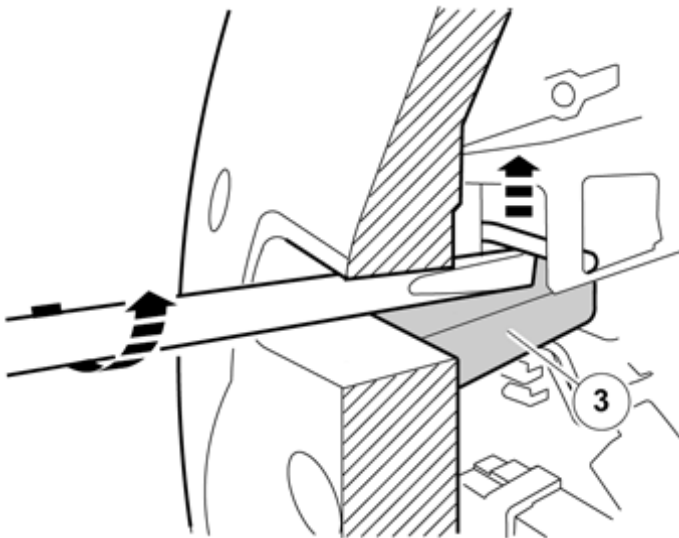
Turn the steering wheel to neutral position.

7B



IMG-329000

7C



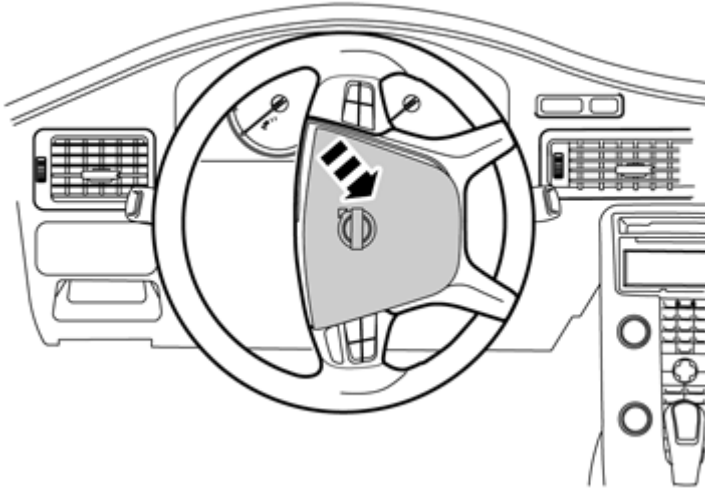
IMG-329001



# Installation instructions, accessories

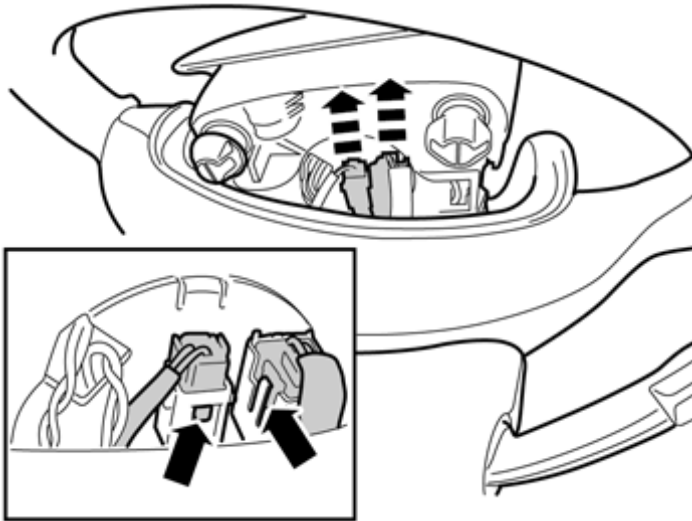
Volvo Car Corporation Gothenburg, Sweden

7D



IMG-329002

8



IMG-329003

Carefully fold back the steering wheel module so that the connectors in the upper edge are accessible.

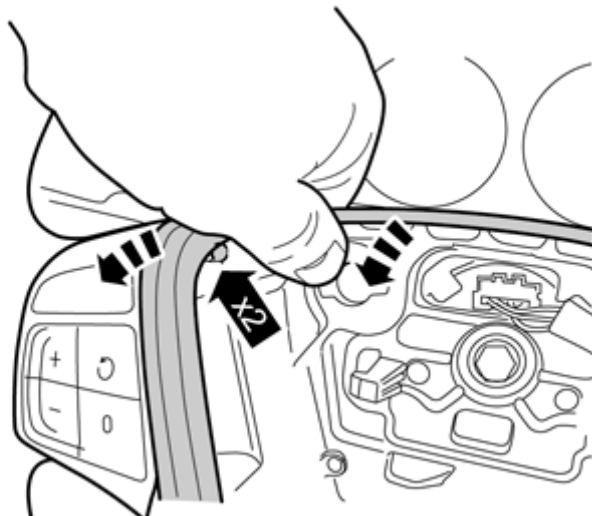
Press in the catches on the connectors (small illustration) and detach them.

Place the steering wheel module to one side

### Caution!

Position the steering wheel module with the front upwards in a secure position while carrying out the work.

9



IMG-329005

Grip the panel in the upper left-hand corner and carefully pull it loose until the pin releases. Use both hands.

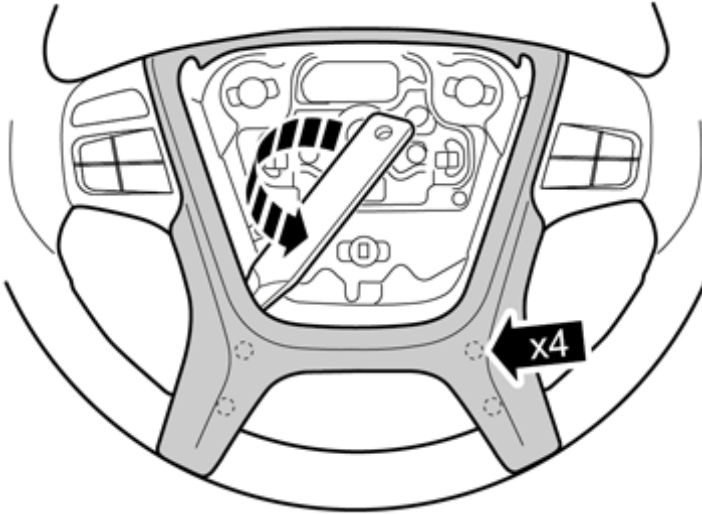
Repeat the operation on the other side.



# Installation instructions, accessories

Volvo Car Corporation Gothenburg, Sweden

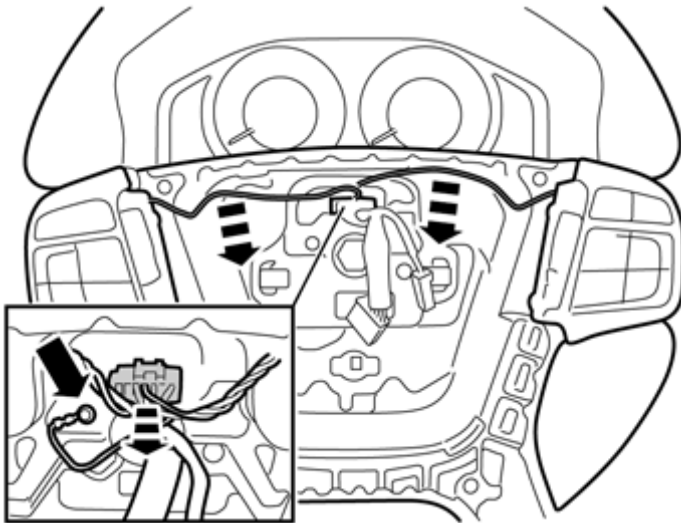
10



IMG-329006

Use a weatherstrip tool, turn and carefully pull the panel loose at the bottom on both sides. Put it to one side. There is a new component in the kit.

11



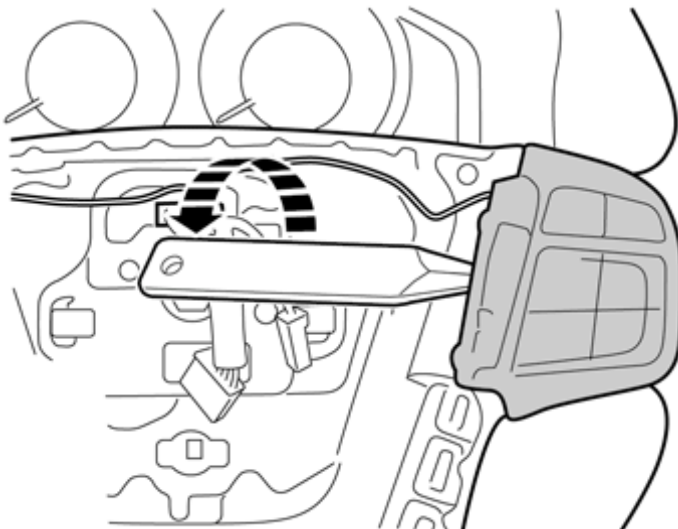
IMG-329007

Unplug the green connector in the contact reel.

Detach the ground cable from the bottom of the steering wheel.

Detach the cables to the keypads from their positions in the steering wheel.

12



IMG-329008

Remove the left and right-hand keypad/keypad dummy from the steering wheel by gently prizing them off with a plastic weatherstrip tool.

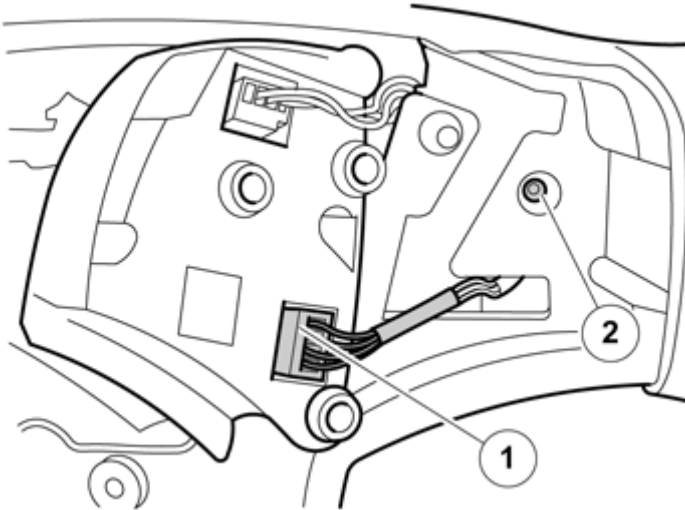
Turn the weatherstrip tool to press out the keypad. They are firmly attached with three pins in the steering wheel, so force is required to remove them.



# Installation instructions, accessories

Volvo Car Corporation Gothenburg, Sweden

13



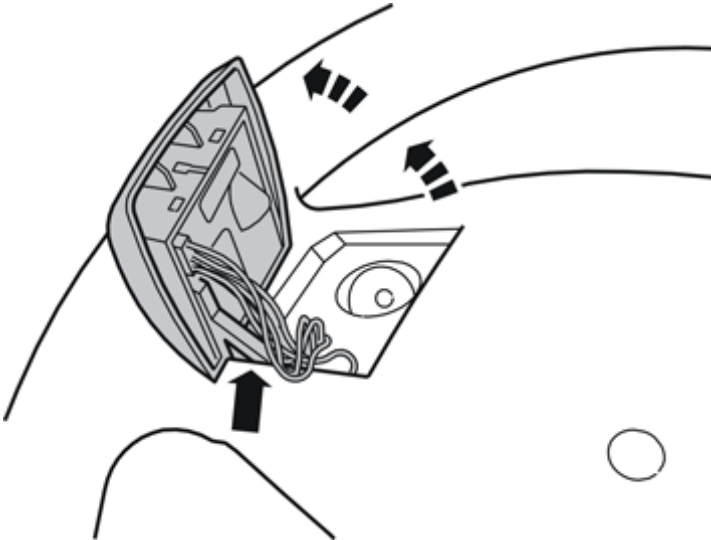
IMG-329009

## Applies to cars with an RTI keypad

Unplug the connector (1) for the RTI keypad on the right keypad.

Remove the screw (2).

14



J6400900

Pry up the keypad at the front edge and unhook it from the steering wheel at the rear edge

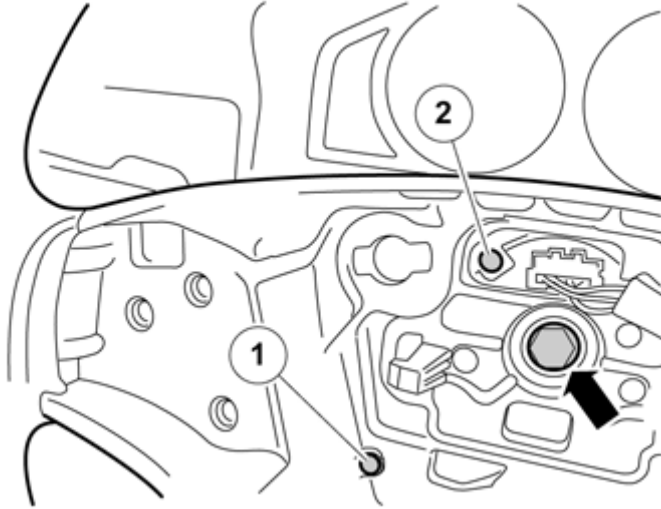
Pull the cable out of the steering wheel.



# Installation instructions, accessories

Volvo Car Corporation Gothenburg, Sweden

15



IMG-329010

### Applies to all models

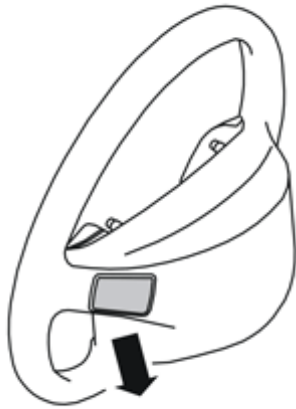
Loosen the screw in the steering wheel, but do not remove the screw.

Take the screw (1) and screw it in the bracket (2) in the contact reel.

Remove the screw and the steering wheel and put them to one side.

Take the new steering wheel and screw from the kit

16

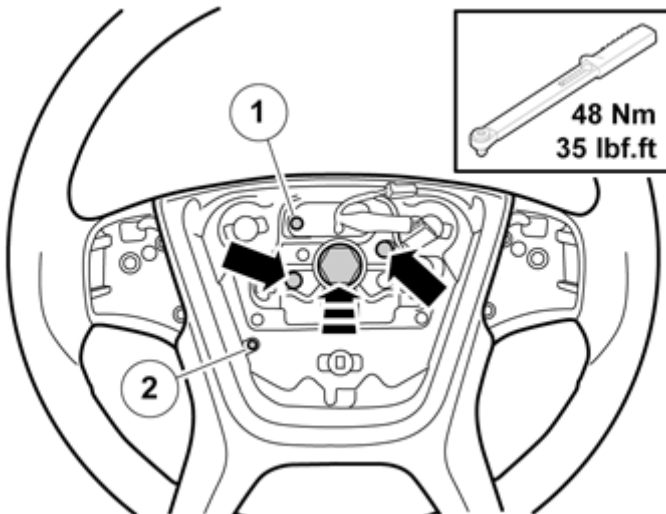


J6400902

### Applies to cars with an RTI keypad

Remove the cover on the reverse of the right-hand spoke on the new steering wheel.

17



IMG-329011

### Applies to all models

Take the new steering wheel and align the guide pins in the contact reel in the holes in the steering wheel.

Take a new screw for the steering wheel and screw it in by hand.

Remove the screw in the bracket (1) in the contact reel and reinsert it in position (2).

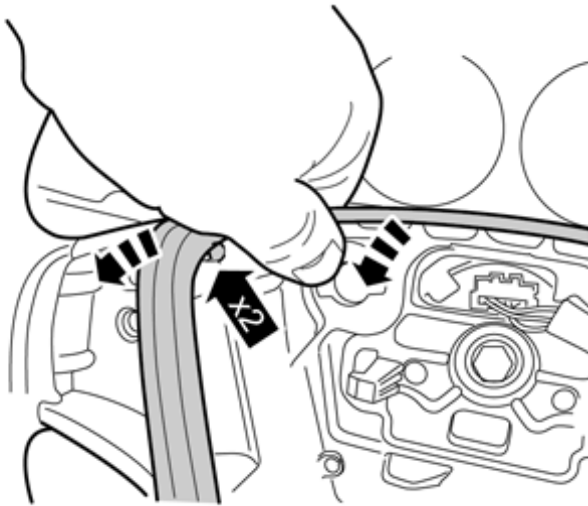
Tighten and torque tighten the steering wheel screw.



# Installation instructions, accessories

Volvo Car Corporation Gothenburg, Sweden

18

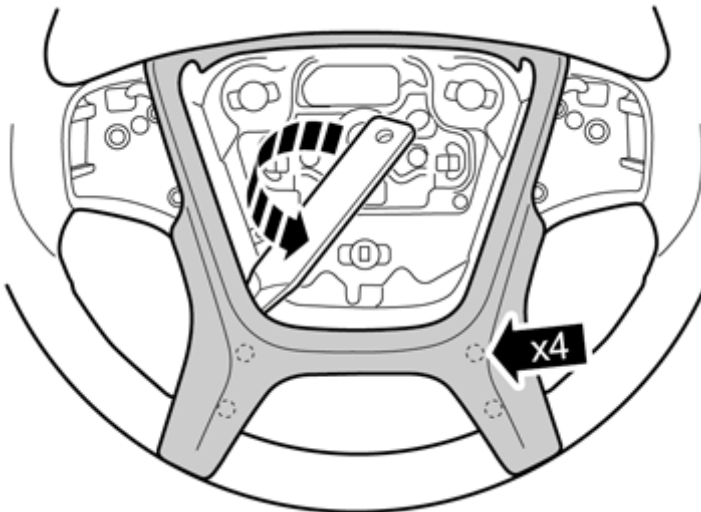


IMG-329012

Grip the panel in the upper left-hand corner and carefully pull it loose until the pin releases. Use both your hands.

Repeat the operation on the other side.

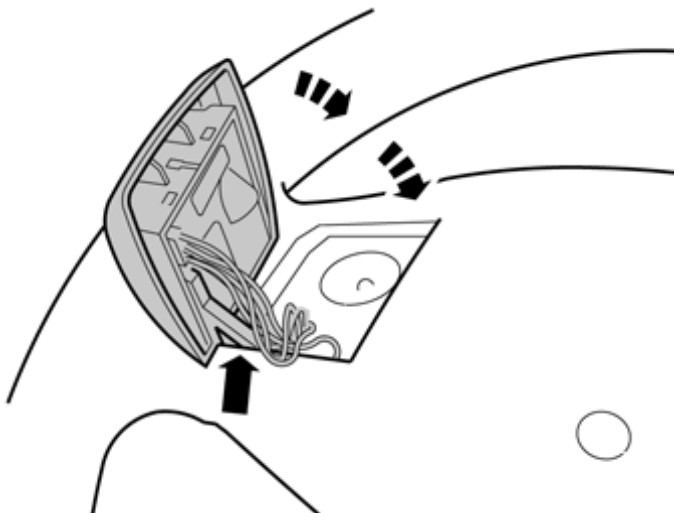
19



IMG-329013

Use a weatherstrip tool, turn and carefully pull the panel loose at the bottom on both sides.

20A



IMG-329188

**Applies to cars with an RTI keypad**

**Illustrations A and B**

Insert the cables for the RTI keypad on the back of the steering wheel and pull them forward.

Reinstall the keypad on the reverse of the steering wheel. Tighten using the screw (1).

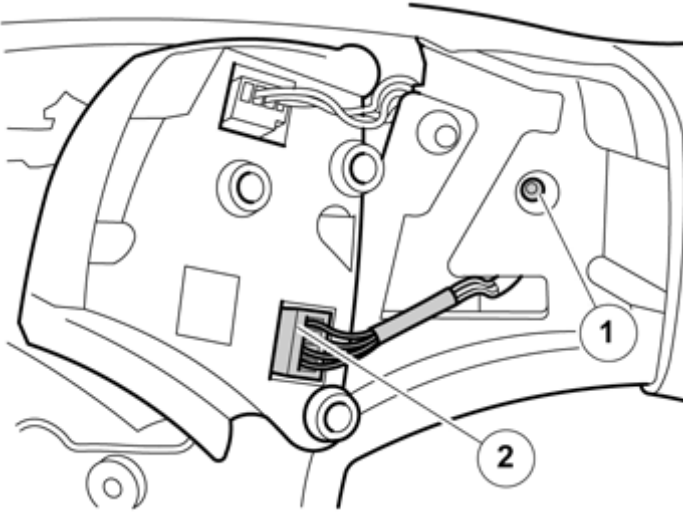
Plug in the connector (2) for the steering wheel's right-hand keypad.



# Installation instructions, accessories

Volvo Car Corporation Gothenburg, Sweden

20B



IMG-329014

## Applies to all models

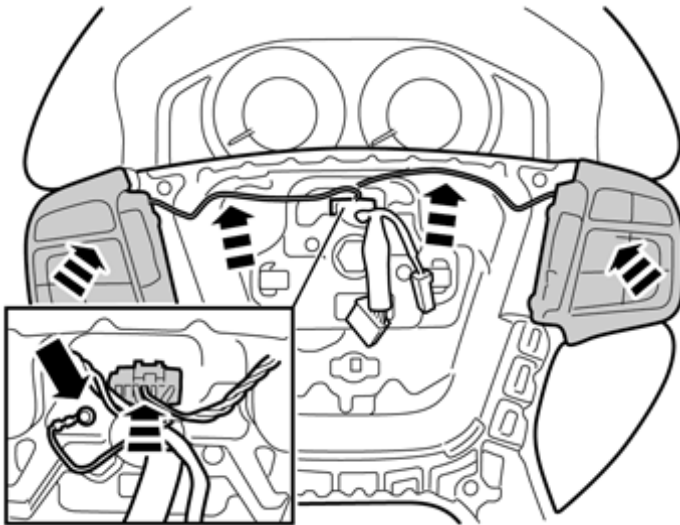
Refit the keypads.

Fit the cables in their grooves.

Plug in the green connector in the contact reel.

Tighten the ground cable.

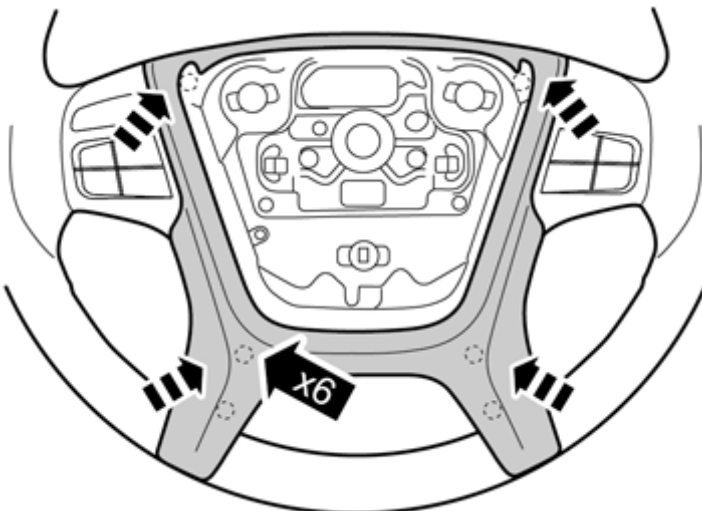
21



IMG-329016

Take the panel and firmly press into the steering wheel.

22



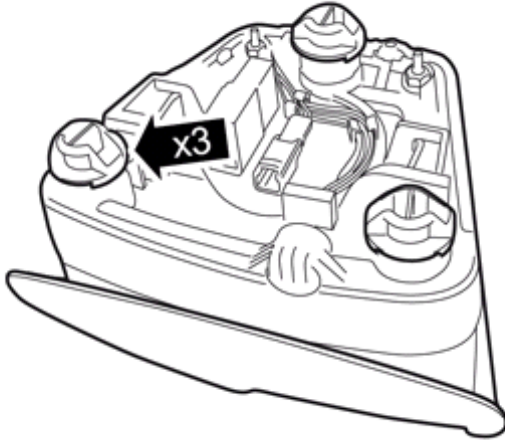
IMG-329018



# Installation instructions, accessories

Volvo Car Corporation Gothenburg, Sweden

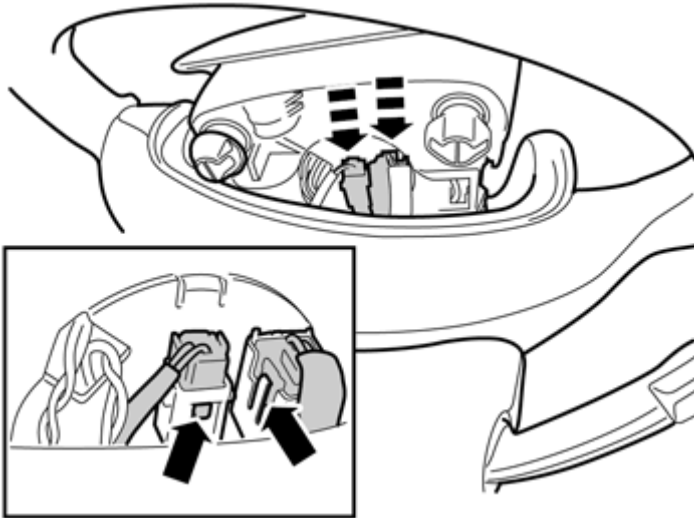
23



Take the steering wheel module and check that the three spring-loaded holders are firmly attached to it. If any holder has become trapped in the bottom of the steering wheel, remove it and fit it on the steering wheel module.

IMG-329019

24



Plug in the two connectors for the steering wheel module.

Position the steering wheel module in the centre of the steering wheel and press it firmly into bottom of the steering wheel.

Check that it is fitted firmly and can be pressed in all around.

IMG-329020

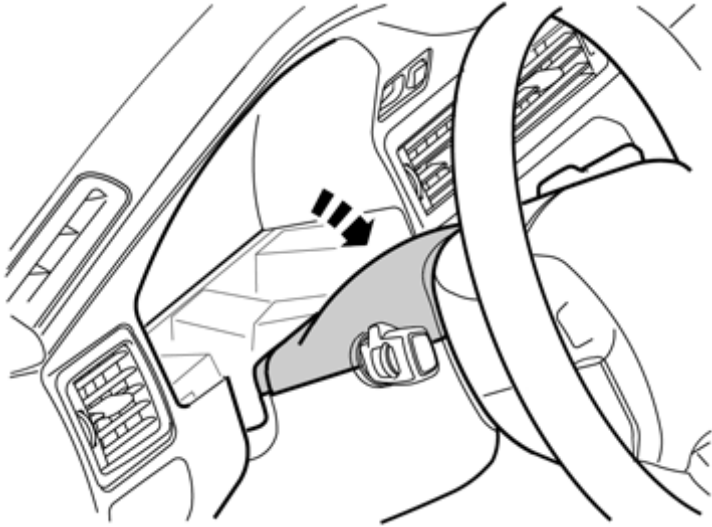




# Installation instructions, accessories

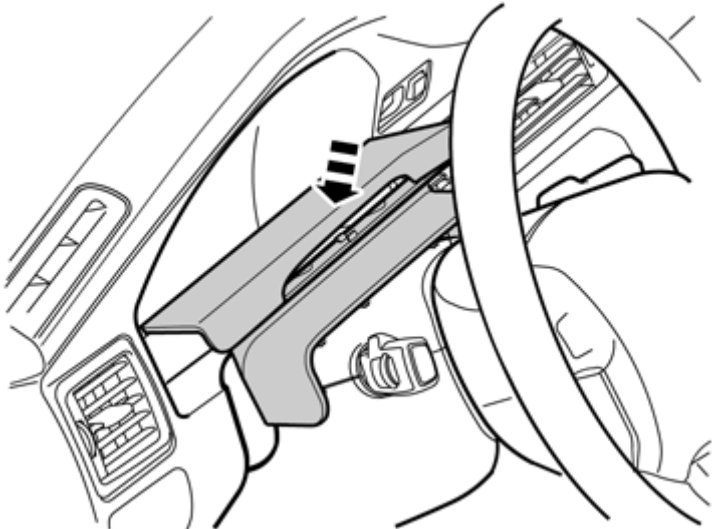
Volvo Car Corporation Gothenburg, Sweden

25



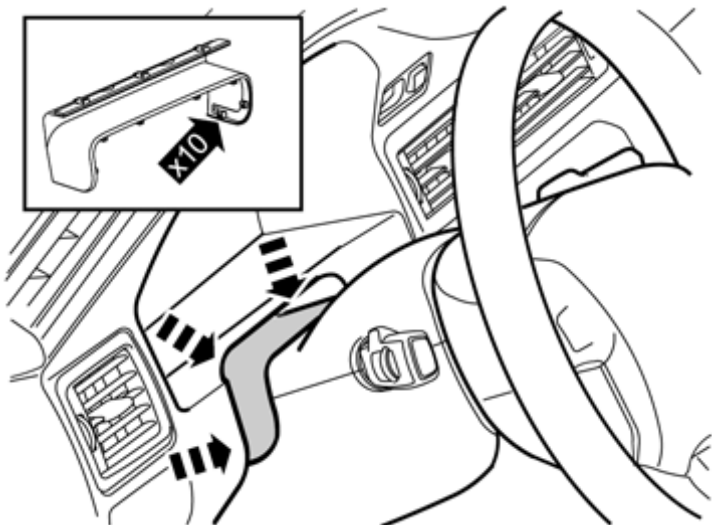
IMG-329021

26

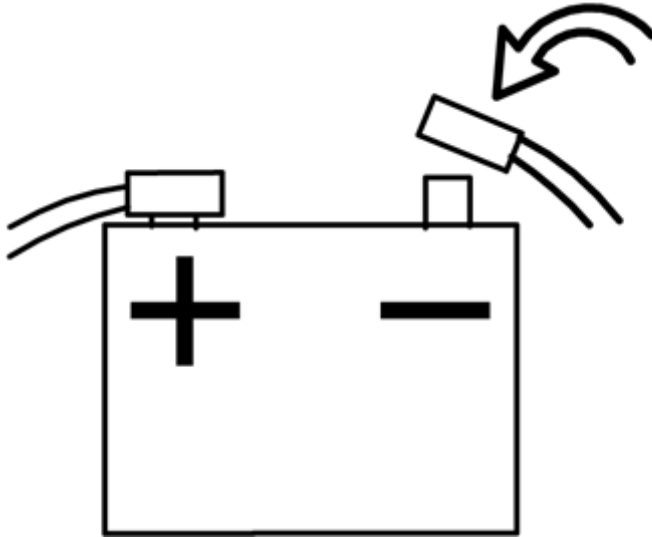


IMG-329022

27



IMG-329023



IMG-236182

## Installing the negative lead after working with SRS components

### Warning!

Make sure that no one is in the vehicle during this procedure.

Activate the SRS system in accordance with: "VIDA/ DIAGNOSTICS/ VEHICLE COMMUNICATION/ Advanced/ SRS/ Powering the SRS system" before turning the ignition key.

Initiate window position in accordance with: "VIDA/ DIAGNOSTICS/ VEHICLE COMMUNICATION/ Advanced/ Initiating window position"